

產業機械和製程控制自動化設計服務 變頻節能節電/環保減碳工程規劃服務

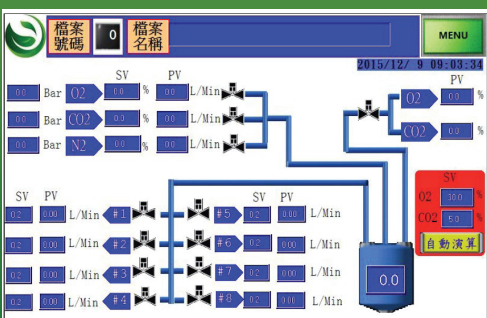
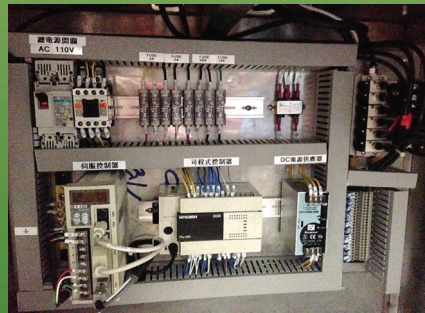
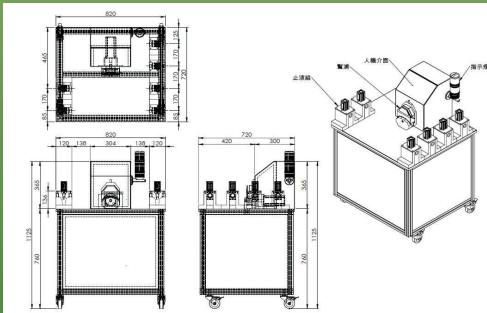
細心聆聽您的需求

提供高品質與竭誠服務



- 自動連續監測控制系統之製作: 低壓/高壓配電盤(220V~22.8KV)、控制盤、受電箱/電錶箱、箱體名牌客製化製作。伺服馬達驅動/自動控制配電盤之製作試車。
- 蠕動幫浦/閥門流體運輸流程規劃及控制，管路儀表機械繪圖與3D模擬顯示設計架構。
- 客製化人機介面和可程式控制系統服務，依客戶要求之登入權限設定，並幫助客戶進行IQ/OQ的確效流程。
- SUS304/316/不銹鋼檯車主體與閥門設計並出具IP65/IP66材質證明文件。
- 自動記錄與備份完整的操作資料、配方和錯誤訊息於製程或任何改變的設定。
- 節能減碳工程和自動化元件整合服務以建立完全自動化生產流程的工廠。
- 關鍵電機元件供應商: **INV 鉸鉸牌變頻器**、POD人機介面、PLC可程式控制器、SERVO伺服馬達、NFB無熔線斷路器、MS電磁開關等電子電機元件。

我們提供客戶全方面的自動化整合與整體性規劃，如機台開發製作，電路和自動控制配電盤之設計及製作，HMI/PLC 程式設計，系統規劃，SCADA圖控監控軟體規劃整合設計，動力迴路規劃等服務。整合蠕動幫浦/壓力閥件/警報箱/壓力、pH值、流量感測器/高精密熱質量式氣體流量計和控制器/溫度、濕度、導電度、張力、糾邊器等感應器/氣體分析儀/及其他用來生產或品質監控的儀器設備。



大久生物科技股份有限公司
GRANDEVER BIOTECHNOLOGY CO., LTD.
核心貢獻於電機和科學共同體
Valuable contribution to the power and science community.

11471台北市內湖區新明路273巷6號1樓
IF., No. 6, Ln. 273, Xinming Rd., Neihu Dist., Taipei City 11471, Taiwan (R.O.C.)
TEL: +886-2-8792-3722 FAX: +886-2-8792-3761
E-Mail: info@grandever-biotech.com.tw Website: www.grandever-biotech.com.tw

INDUSTRIAL MACHINERY AND PROCESS CONTROL AUTOMATION DESIGN SERVICES

The INVERTER integrated Energy & Power Saving/Environmental Protection and Carbon Reduction Engineering Planning Services

Listen carefully to your needs

Providing high-quality service and dedication



- Production of automatic continuous monitoring and control system: low-voltage/high-voltage switchboard(220V~22.8KV), control panel, power receiving box/meter box, and Electrical Distribution Cabinet bodies with key tags customized production. Servo motor / automatic control with the feeder distribution switchboard manufacture and test run support.
- Peristaltic pump / valve fluid transport planning and control processes and Mechanical piping and instrumentation diagram/drawing (P&ID) and 3D simulation display of design architecture.
- Customized Human-Machine Interface (HMI) and Programmable Logic Control (PLC) systematically design services, Login Privilege setting according to customer's preference and supporting customers implement IQ/OQ validation for fulfilling the compliance requirements.
- SUS304 / SUS316 / stainless steel trolley body and valve design with IP65/IP66 certificates of material.
- Automatically recording and backing up the complete operational data, formula and error messages during processes or any setting changes for FACILITATING customer's computerized systems compliance and validation using the GAMP5 Guide.
- Energy saving and Carbon reduction engineering and integrating the needed components for building up a manufacture plant with the fully automation production processes.
- Key Electrical Engineering Element Provider: **INV AH-HONG inverters**, POD man-machine interface, PLC, SERVO motors, NFB no fuse breaker, MS electromagnetic switches and other needed electrical and electronic components.

We provide customers with all aspects of automation integration and overall planning, such as machine development and production, circuit and automatic control switchboard design and production, HMI/PLC programming, system planning, SCADA graphic control and monitoring software planning integration design, power circuit planning and other services. Integrated peristaltic pump / pressure valve / alarm box / pressure, pH value, flow sensor / high precision thermal mass gas flow meter and controller / temperature, humidity, conductivity, tension, edge corrector and other sensors / Gas analyzers/and other equipment used for production or quality control.

